



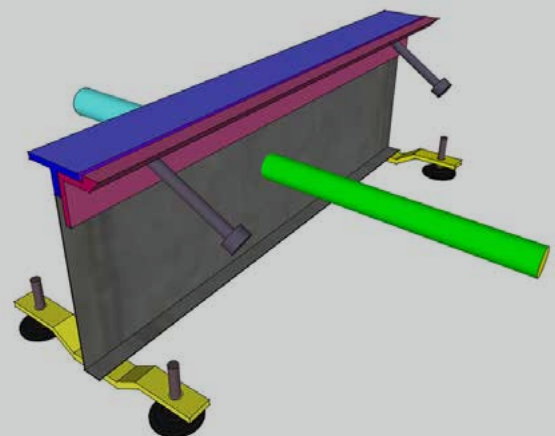
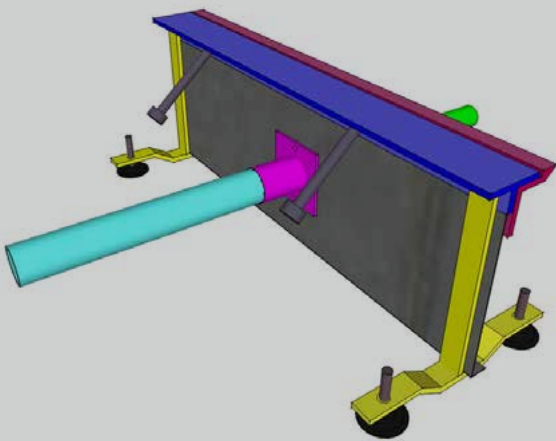
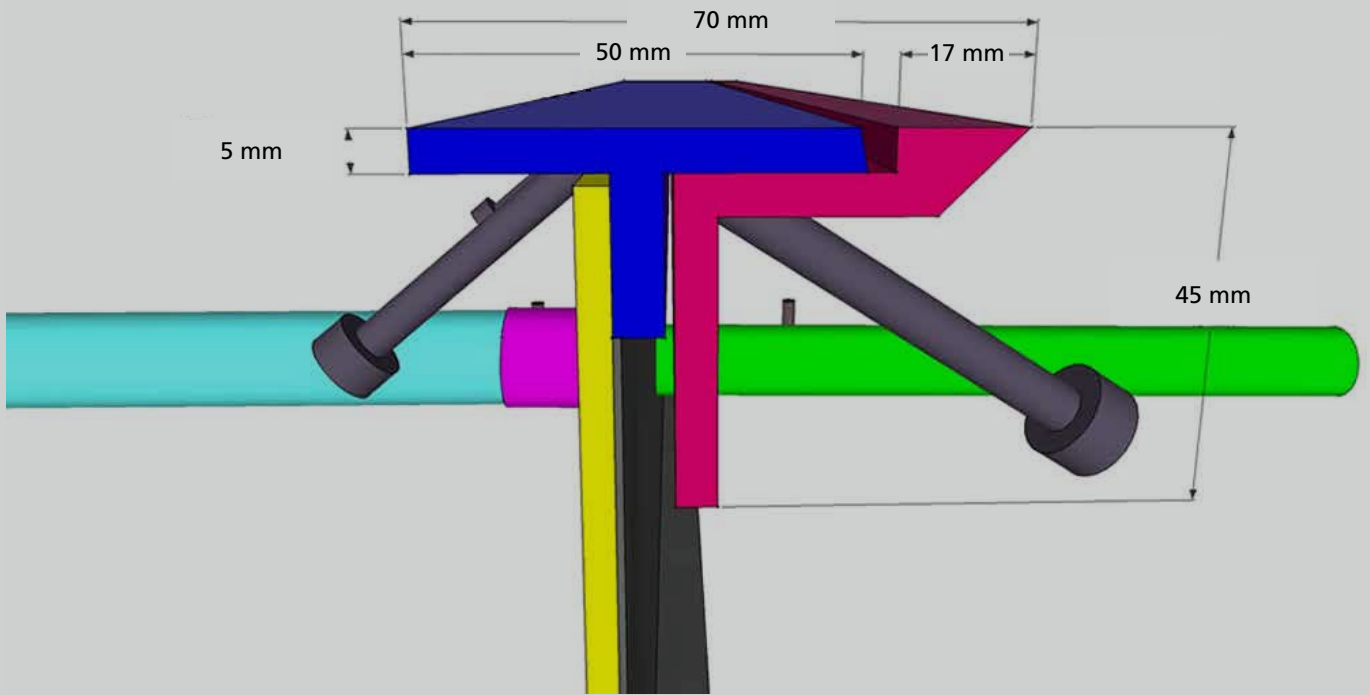
Herkules RF

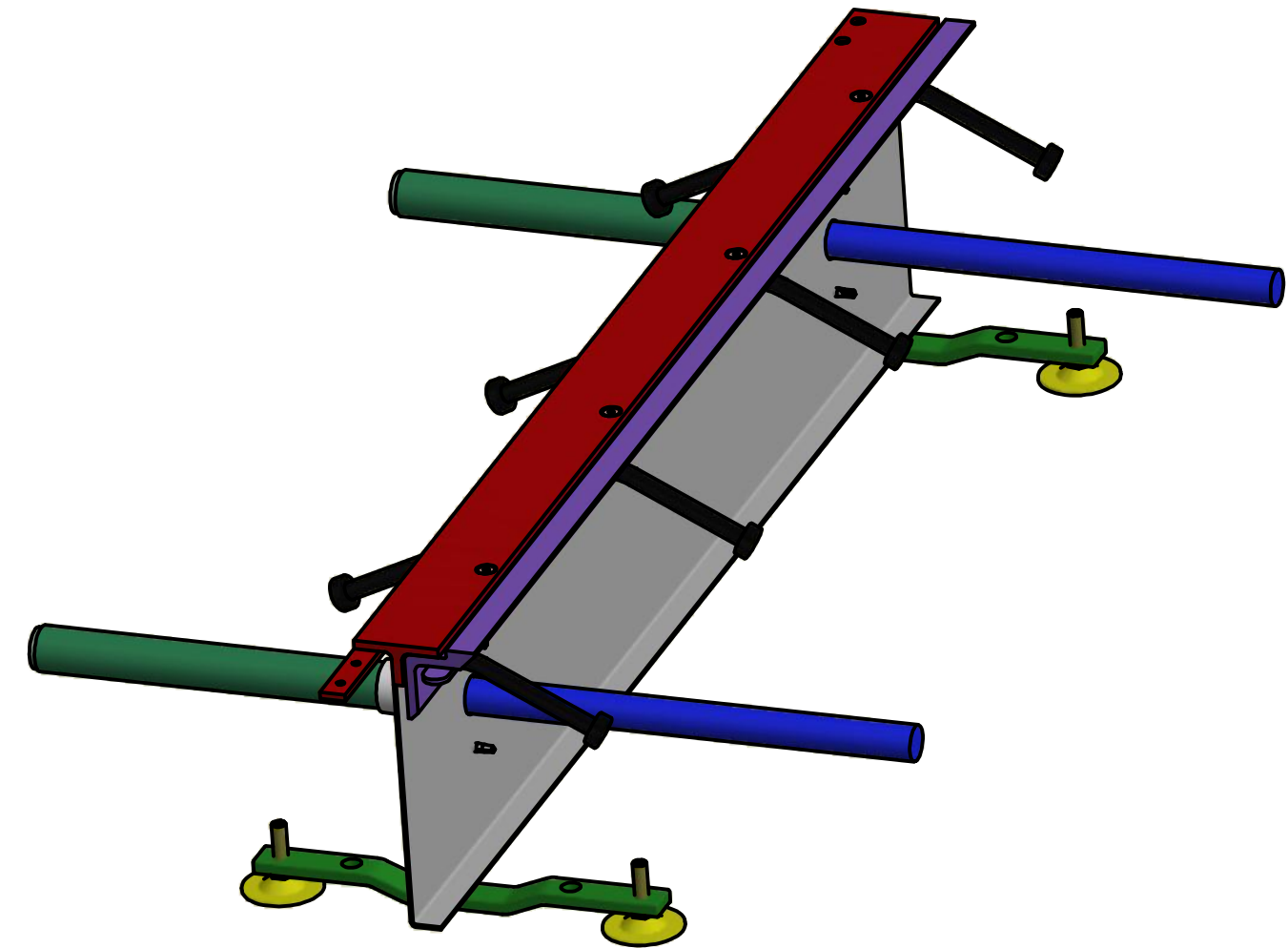
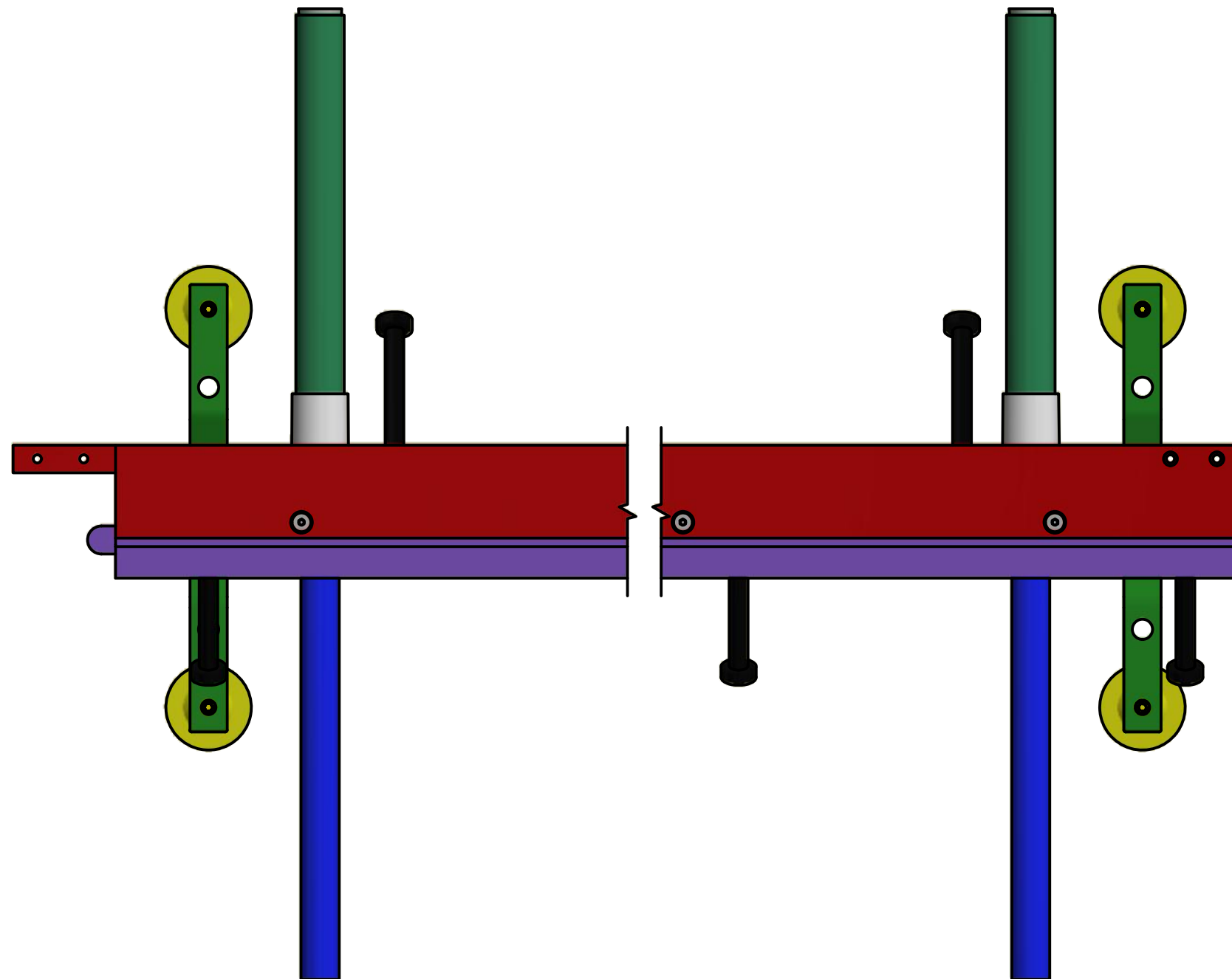
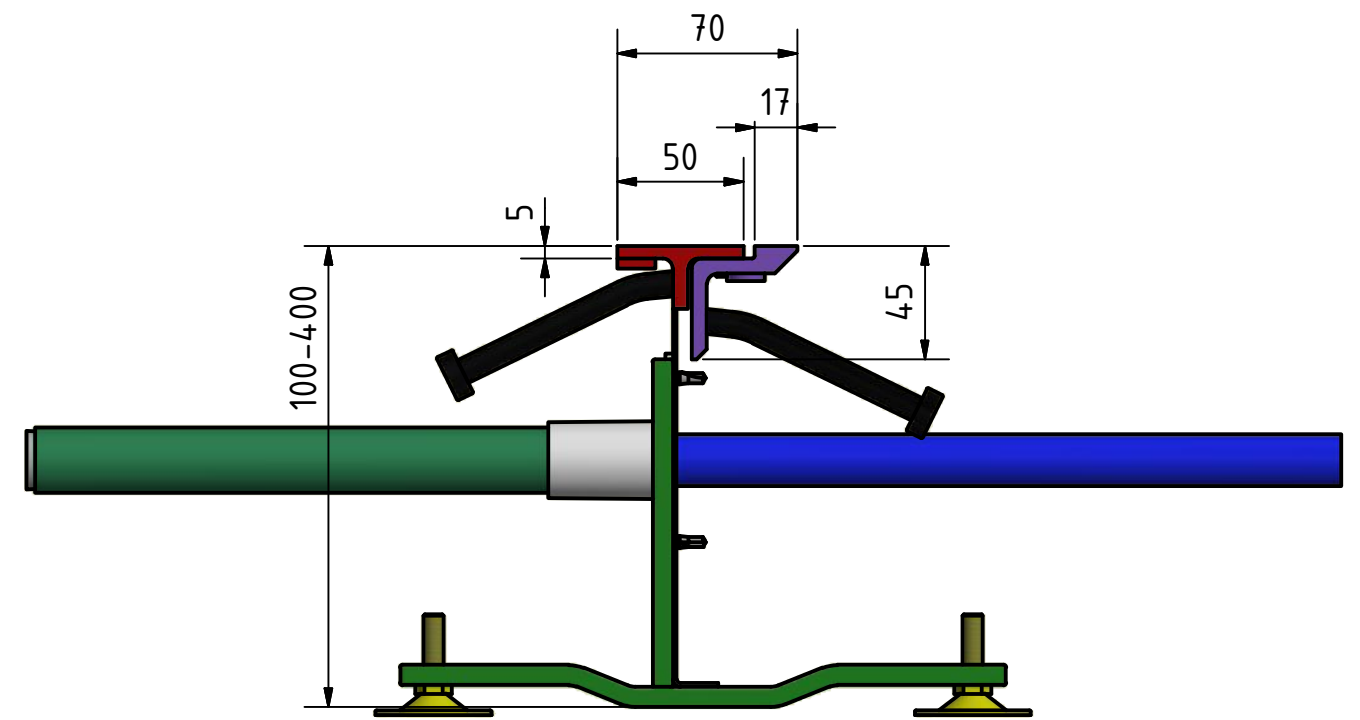
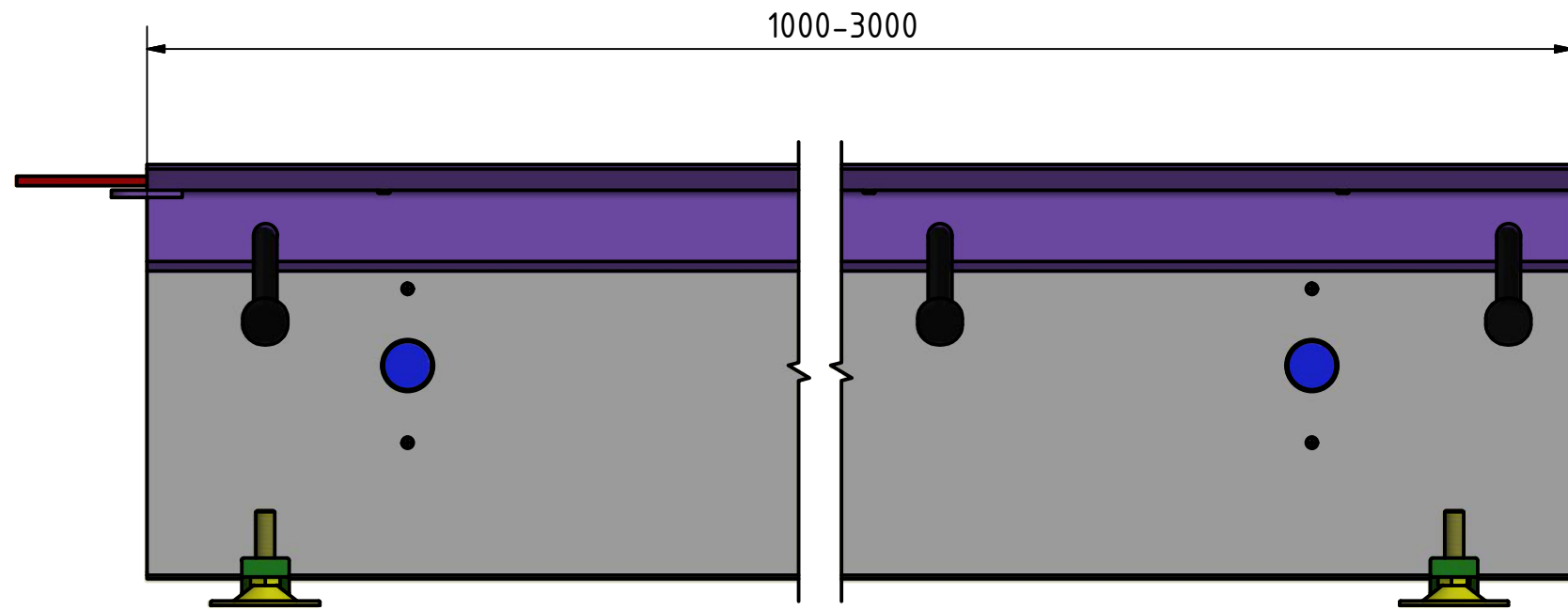
- heavy duty joint profile for industrial concrete floor slabs
- ultra-stable profile head
- extremely high load bearing
- suited for all kinds of conveyors
- serves as expansion joint, formwork, and reference point for final floor height

Description / Details:

Heavy duty joint profile HERKULES RF, base material S235JR. Stand-alone joint system with two stands per element. Height adjustment via threaded foot. Extension via integrated threaded joint. Variable element lengths. Accurate to size end pieces from 1000 mm - 3000 mm as well as angle, cross, and T-shaped parts available.

Profile / Item no.	Profile height	Profile head	Element length
Herkules RF	100 mm bis 400 mm	base material S235JR primed	3000 mm
Herkules RFV	100 mm bis 400 mm	base material S235JR hot-dip galvanized	3000 mm
Herkules RF2A	100 mm bis 400 mm	stainless steel material 1.431	3000 mm





Herkules RF



guggemos gmbh
www.fugenprofile.de

Iglauer Straße 6, 86316 Friedberg-Derching
Telefon: +49 (821) 4559690, Fax: +49 (821) 4559696
eMail: service@fugenprofile.de